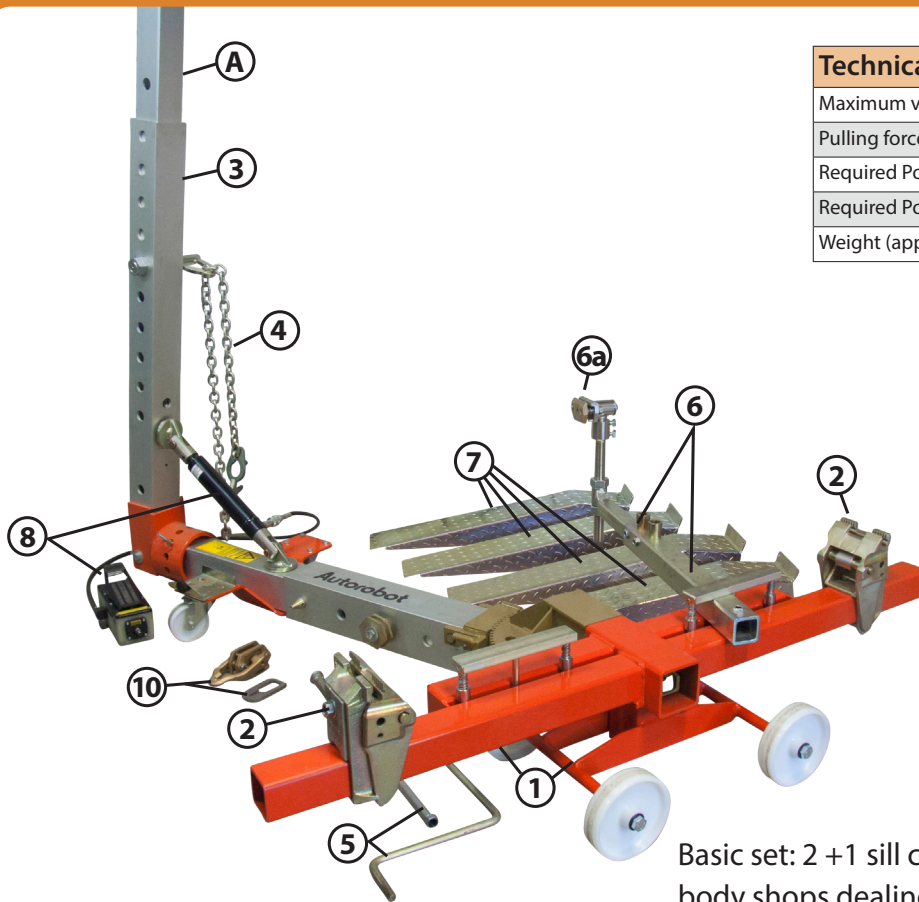


# Autorobot<sup>®</sup> Micro C

QUICK, ECONOMICAL CAR STRAIGHTENING BENCH

## Basic set Equipment



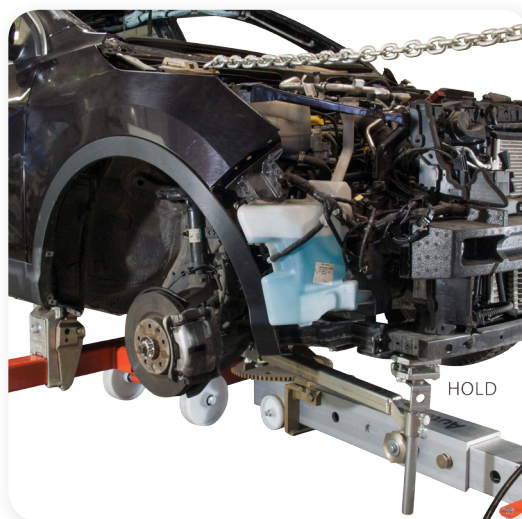
### Technical information

Maximum vehicle weight	3000 kg / 6600 lbs
Pulling force	n. 10 t
Required Power	Air pressure
Required Power	4 x 5.5 m / 13.1 x 18.0 ft
Weight (approx.)	523 kg / 1153 lbs

Basic set: 2 +1 sill clamps and 1 pulling tower for body shops dealing with small and medium-sized damages of vehicles with a pinch weld.

### Basic Set Equipment

- |   |      |
|---|------|
| 1. Frame                                | 1 pc |
| 2. 162+ Sill clamp                      | 2 pc |
| 3. 501D2- Pulling tower                 | 1 pc |
| 4. 673 Chain 2,5 m                      | 1 pc |
| 5. 505 Wrench                           | 1 pc |
| 6. 678 Support beam                     | 3 pc |
| 6a. 678-1 Adjustable support            | 1 pc |
| 7. 504B Ramp (2 + 2)                    | 4 pc |
| 8. 490 10t hydraulics (cylinder + pump) | 1 pc |
| 9. 506A Jacking beam                    | 1 pc |
| 10. 714A-6 Multifunctional gripper      | 1 pc |



Micro C is also great for smaller body shops thus it takes only very small space from the floor.