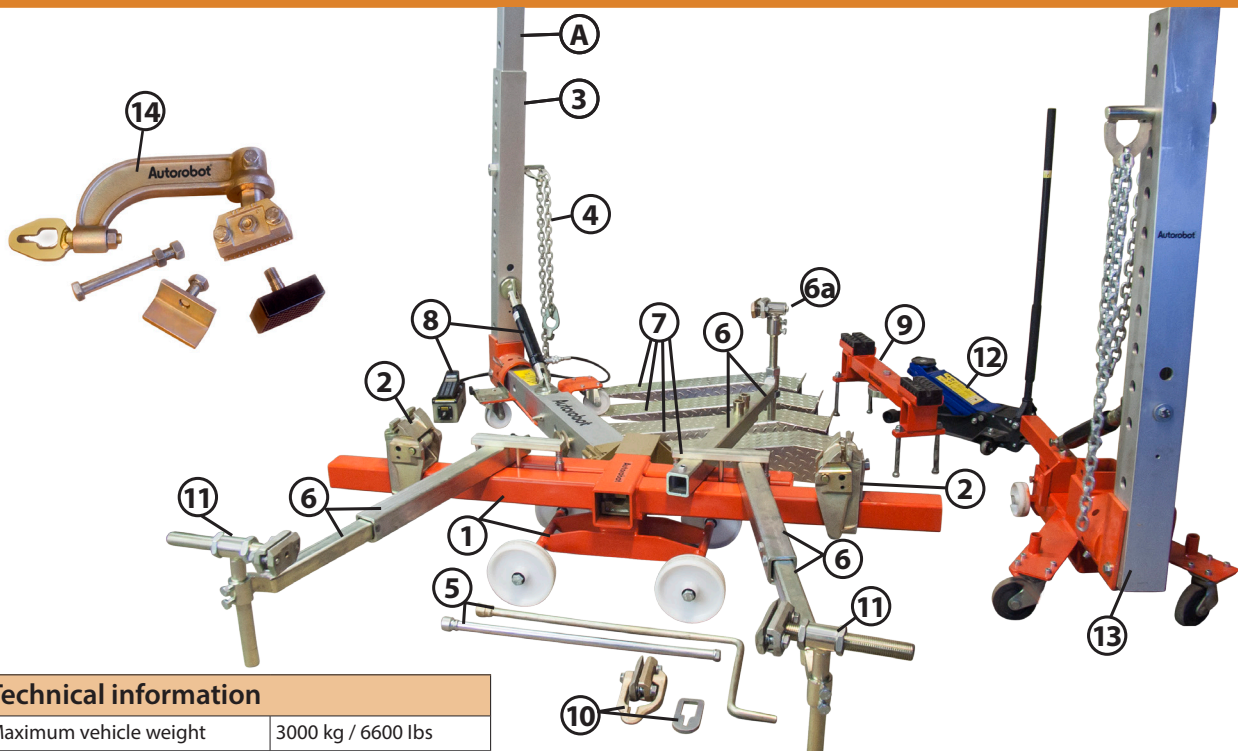


Autorobot[®] Micro C

QUICK, ECONOMICAL CAR STRAIGHTENING BENCH

Gold set Equipment



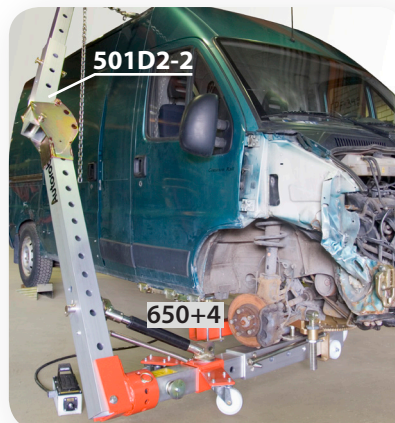
Technical information

Maximum vehicle weight	3000 kg / 6600 lbs
Pulling force	n. 10 t
Required Power	Air pressure
Required Power	4 x 5.5 m / 13.1 x 18.0 ft
Weight (approx.)	815 kg / 1800 lbs

* Gold set: 4 + 1 sill clamps and 1 + 1 pulling tower for body shops dealing with small, medium-sized and demanding repair jobs including straightening of frame structures of vehicles with a pinch weld.

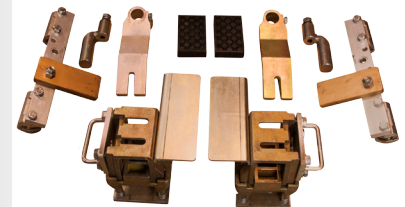
Gold Set Equipment

1	Frame	1 pc
2	162+ Sill clamp	2 pc
3	501D2- Pulling tower	1 pc
4	673 Chain 2,5 m	1 pc
5	505 Wrench	1 pc
6	678 Support beam	3 pc
6a	678-1 Adjustable support	1 pc
7	504B Ramp (2 + 2)	4 pc
8	490 10t hydraulics (cylinder + pump)	1 pc
9	506A Jacking beam	1 pc
10	714A-6 Multifunctional gripper	1 pc
11	164 Chassis fastener	2 pc
12	740 + Jack (2,5 - 3,0 t)	1 pc
13	501E Pulling tower with hydraulics	1 pc
14	714 B Satellite straightening set	1 pc



Accessories

650 + 4



650+4 Fastener set works in all passenger and commercial vehicles. It allows mounting of the vehicle from the upper seam of the rocker panel, which provides quick fastening of the vehicle without a pinch weld. With additional set the mounting from the vehicle frame (pick ups) is also possible.