

Autorobot® Micro C

Autorobot®

QUICK, ECONOMICAL
AUTO BODY FRAME MACHINE



Multifunctional star set is suitable for fastening of all kind of vehicles



+ Technology
from FINLAND

COLLISION
REPAIR SYSTEMS

Autorobot® Micro C

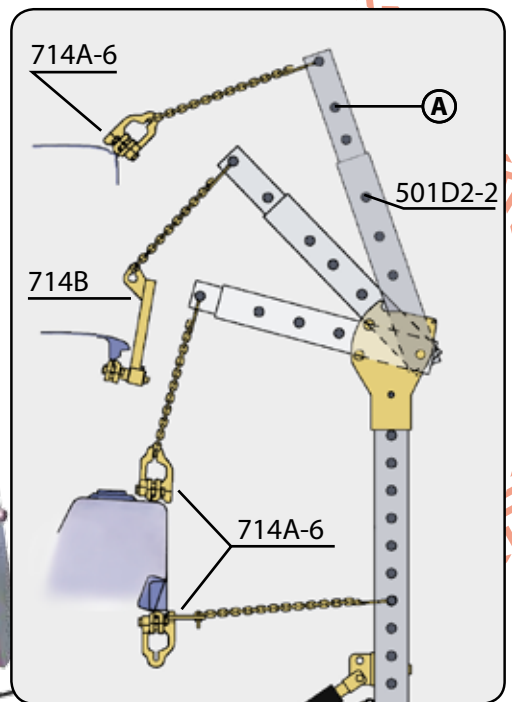
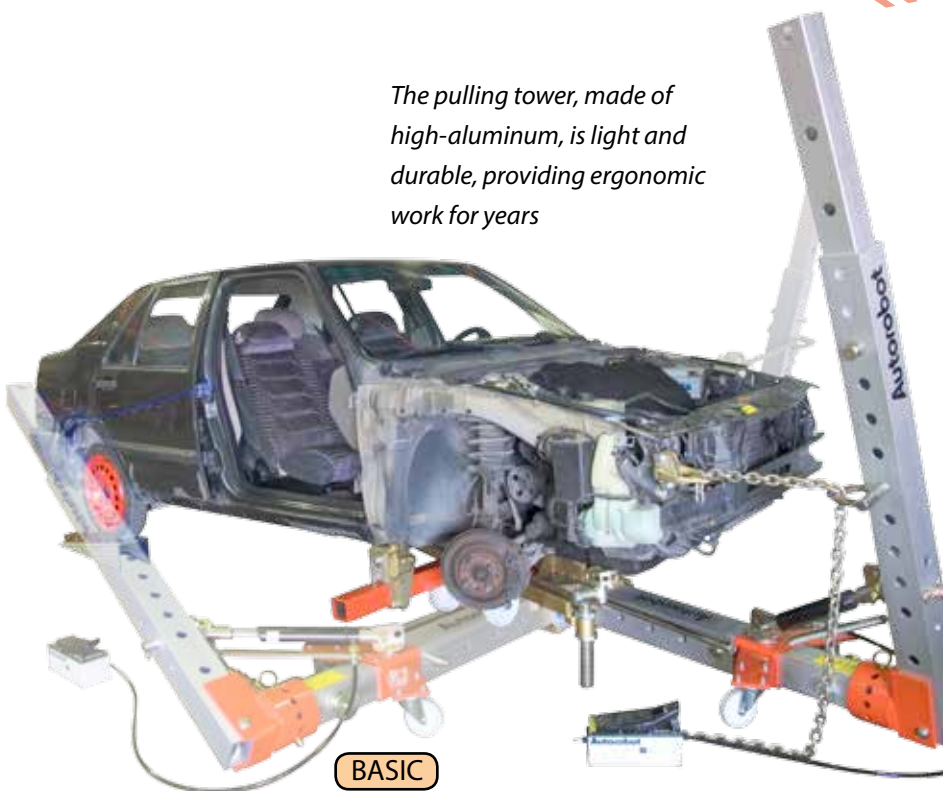
QUICK, ECONOMICAL AUTO BODY FRAME MACHINE

Autorobot Micro C

New Autorobot Micro C for quick repair of small and medium-sized damages; speed is achieved by new lift drive-on ramps system and a single-bolt sill clamp. Special feature of Micro C is its suitability for all type of straightening work of passenger vehicles and vans, allowing a quick performance thanks to 180 degree turning of aluminium pulling tower.

Due to its compact design, it is also ideal for small body shops. With extra pulling tower, Micro C is also suitable for more demanding body straightening work.

The pulling tower, made of high-aluminum, is light and durable, providing ergonomic work for years



Versatile, patented pulling tower makes quick work of straightening. Adjusting the correct pulling angle takes seconds. Straight upwards pulls are easy thanks to the telescopic upper beam which can be set in three positions. 501D2-2 is optional equipment

- Downward pulling wheel
- 10-Ton pull beam
- 10-Ton hydraulics



SILVER - GOLD



BASIC

Autorobot® Micro C

QUICK, ECONOMICAL AUTO BODY FRAME MACHINE

- Super-quick vehicle fastening with one-bolt chassis clamps
- Easily adjust to pull in all directions (up, down, sideways)
- Smart design reduces stress on technician
- More straightening units can be added to the system with a low investment



Adjustable support



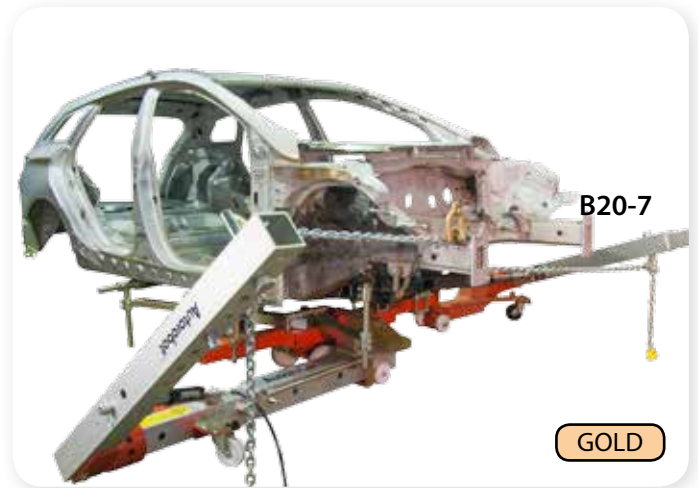
Autorobot® Micro C

QUICK, ECONOMICAL AUTO BODY FRAME MACHINE



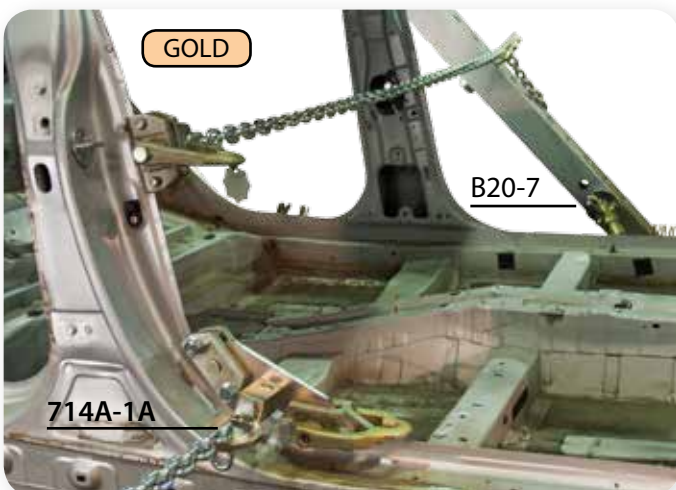
B20-7
GOLD SET

Autorobot Micro C Gold set includes extra straightening tower, which makes it suitable also for more demanding body straightening work



B20-7

GOLD



GOLD

B20-7

714A-1A

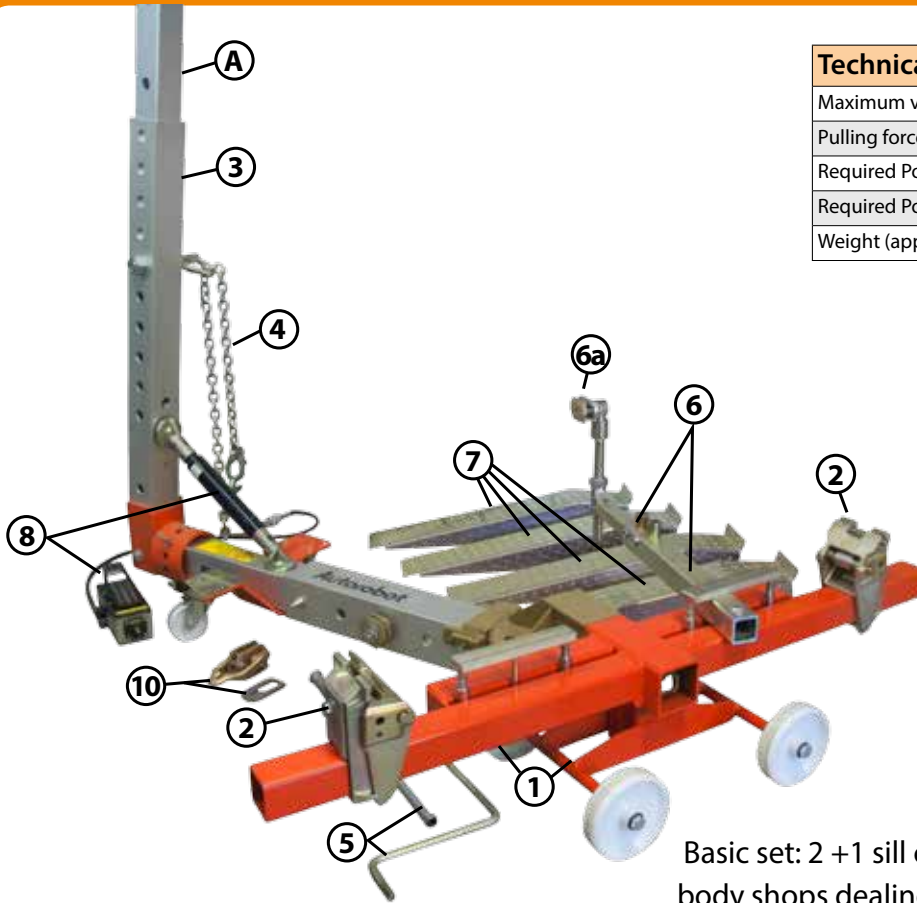


715

Autorobot® Micro C

QUICK, ECONOMICAL AUTO BODY FRAME MACHINE

Basic set Equipment



Technical information	
Maximum vehicle weight	3000 kg / 6600 lbs
Pulling force	n. 10 t
Required Power	Air pressure
Required Power	4 x 5.5 m / 13.1 x 18.0 ft
Weight (approx.)	523 kg / 1153 lbs

Basic set: 2 +1 sill clamps and 1 pulling tower for body shops dealing with small and medium-sized damages of vehicles with a pinch weld.

Basic Set Equipment

- | | |
|---|------|
| 1. Frame | 1pc |
| 2. 162+ Sill clamp | 2 pc |
| 3. 501D2- Pulling tower | 1pc |
| 4. 673 Chain 2,5 m | 1 pc |
| 5. 505 Wrench | 1 pc |
| 6. 678 Support beam | 1 pc |
| 6a. 678-1 Adjustable support | 1 pc |
| 7. 504B Ramp (2 + 2) | 4 pc |
| 8. 490 10t hydraulics (cylinder + pump) | 1pc |
| 9. 506A Jacking beam | 1 pc |
| 10. 714A-6 Multifunctional gripper | 1pc |

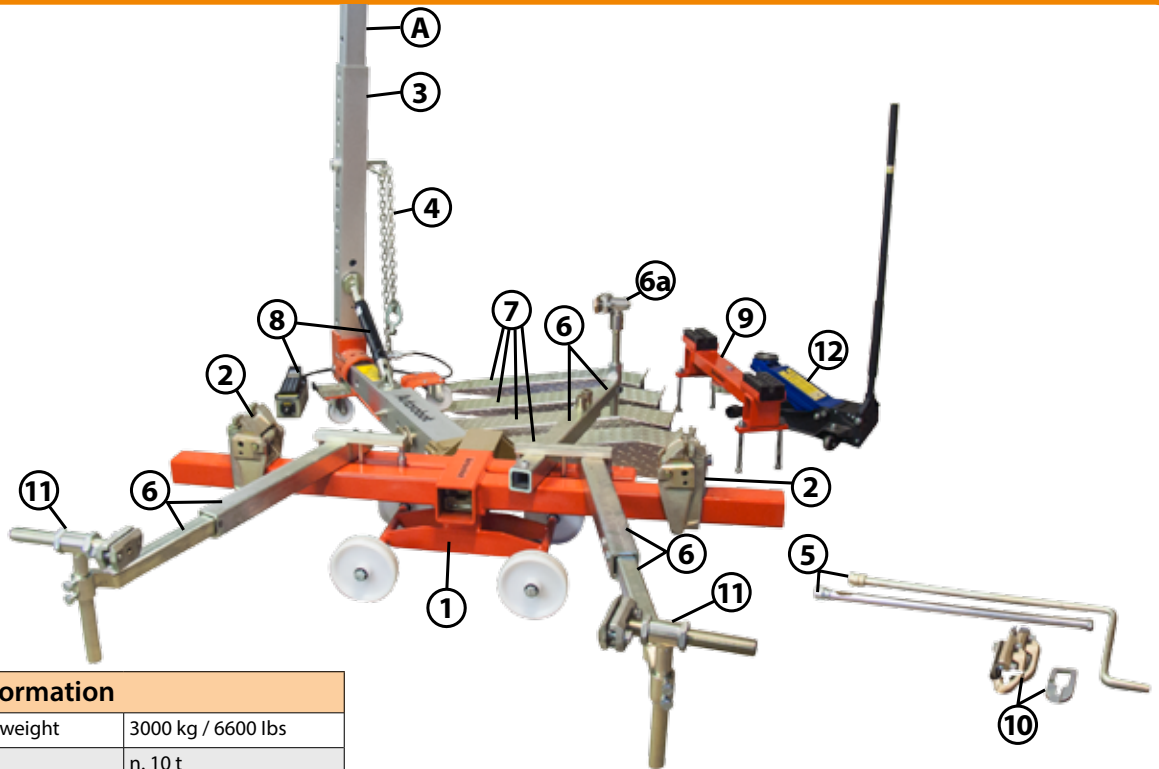


Micro C is also great for smaller body shops thus it takes only very small space from the floor.

Autorobot® Micro C

QUICK, ECONOMICAL AUTO BODY FRAME MACHINE

Silver Set Equipment



Technical information

Maximum vehicle weight	3000 kg / 6600 lbs
Pulling force	n. 10 t
Required Power	Air pressure
Required Power	4 x 5.5 m / 13.1 x 18.0 ft
Weight (approx.)	636 kg / 1400 lbs

* Silver set: 4 + 1 sill clamps and 1 pulling tower for body shops dealing with small and medium-sized damages of vehicles with a pinch weld.*

Silver Set Equipment

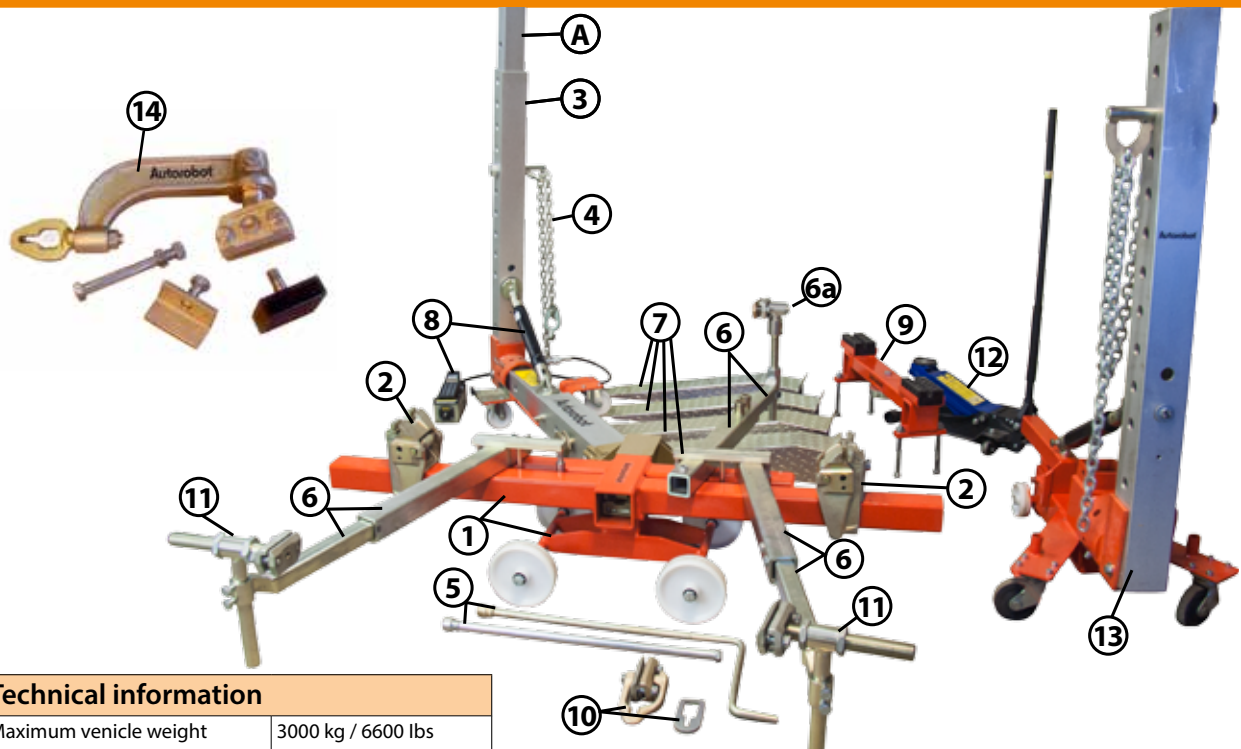
1. Frame	1 pc
2. 162+ Sill clamp	2 pc
3. 501D2- Pulling tower	1 pc
4. 673 Chain 2,5 m	1 pc
5. 505 Wrench	1 pc
6. 678 Support beam	3 pc
6a. 678-1 Adjustable support	3 pc
7. 504B Ramp (2 + 2)	4 pc
8. 490 10t hydraulics (cylinder + pump)	1 pc
9. 506A Jacking beam	1 pc
10. 714A-6 Multifunctional gripper	1 pc
11. 164 Chassis fastener	2 pc
12. 740 + Jack (2,5 - 3,0 t)	1 pc



Autorobot® Micro C

QUICK, ECONOMICAL AUTO BODY FRAME MACHINE

Gold Set Equipment



Technical information

Maximum vehicle weight	3000 kg / 6600 lbs
Pulling force	n. 10 t
Required Power	Air pressure
Required Power	4 x 5.5 m / 13.1 x 18.0 ft
Weight (approx.)	815 kg / 1800 lbs

* Gold set: 4 + 1 still clamps and 1 + 1 pulling tower for body shops dealing with small, medium-sized and demanding repair jobs including straightening of frame structures of vehicles with a pinch weld.

Gold Set Equipment

1	Frame	1 pc
2	162+ Sill clamp	2 pc
3	501D2- Pulling tower	1 pc
4	673 Chain 2,5 m	1 pc
5	505 Wrench	1 pc
6	678 Support beam	3 pc
6a	678-1 Adjustable support	1 pc
7	504B Ramp (2 + 2)	4 pc
8	490 10t hydraulics (cylinder + pump)	1 pc
9	506A Jacking beam	1 pc
10	714A-6 Multifunctional gripper	1 pc
11	164 Chassis fastener	2 pc
12	740 + Jack (2,5 - 3,0 t)	1 pc
13	B20-7 Pulling tower with hydraulics	1 pc
14	714 B Satellite straightening set	1 pc



Accessories

650+4

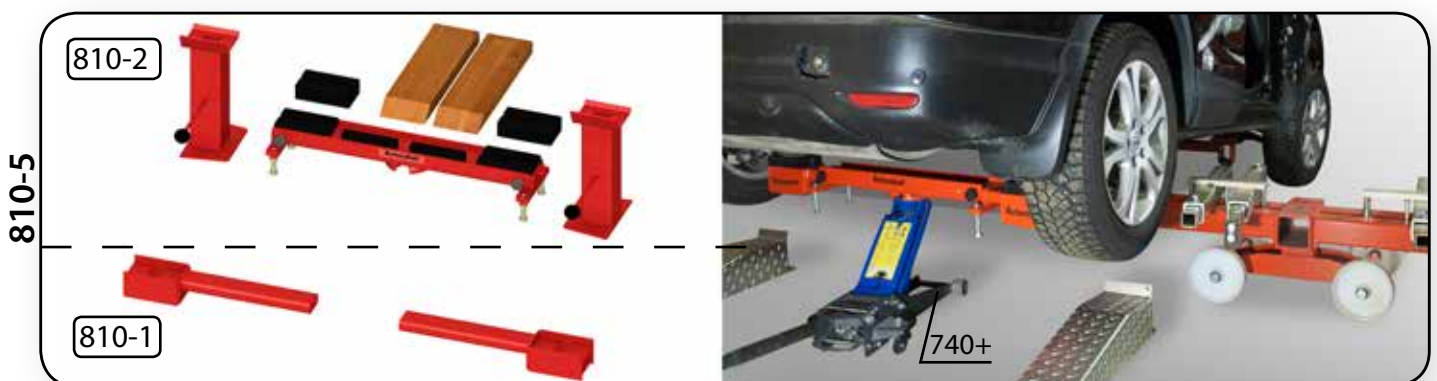
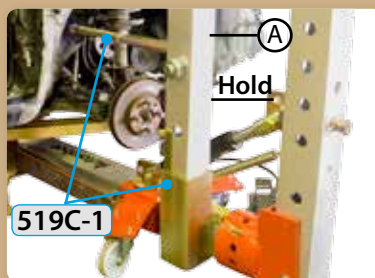
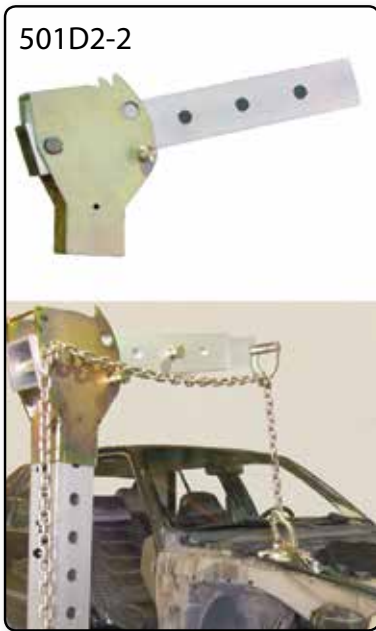


650+4 Patented Star fastener set works in all passenger and commercial vehicles. It allows mounting of the vehicle from the upper seam of the rocker panel, which provides quick fastening of the vehicle without a pinch weld. With additional set mounting from the vehicle frame (pick up cars) is also possible.

Autorobot® Micro C

QUICK, ECONOMICAL AUTO BODY FRAME MACHINE

Accessories



Multifunctional jacking beam lifts the rear part of the car, which speeds up and makes installing of Micro C under the car easier. Jacking beam works with garage jack also in other lifting needs of the car



2021•11 © Autorobot Finland Oy

Autorobot
FINLAND OY

Yrittäjätie 23, 70150 Kuopio, Finland
Tel. +358 10 322 5711 / +358 50 408 0937
Email: autorobot@autorobot.fi
www.autorobot.fi